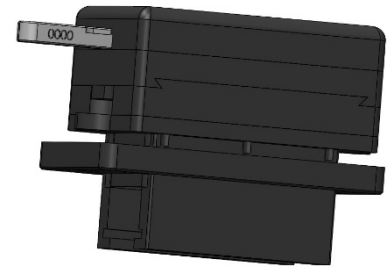


## Mounting Instructions

### OBD-Saver



## Toyota Avensis T27

### Description :

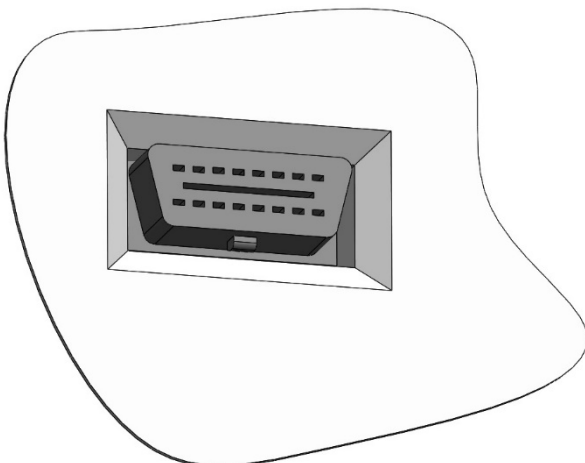
The OBD Saver disables effectively every access to ECUs via OBD – Interface (e.g. electronic immobilizer). The OBD – interface is locked with the OBD Saver. Thus connecting any device to the OBD interface is impossible and the connection to the car their fore denied.

When locked by the OBD Saver your car is protected very effectively. The control unit which controls the ignition of your car cannot be deactivated via OBD. From this time on your car will only start with the original ignition keys!

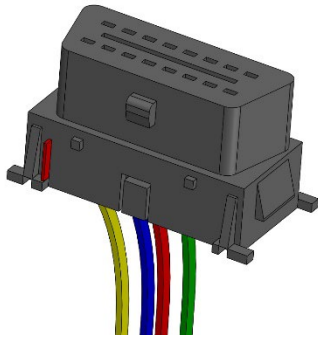
### Scope of delivery :

- 1x OBD-Saver enclosure including the lock
- 2x keys
- 1x allen wrench 2,5 / 3
- 1x mounting bracket / 2x fillister head screw M5
- 1x mounting material for the mounting bracket
- 3x allen wrench M3 + 1x spare screw
- 2x window sticker

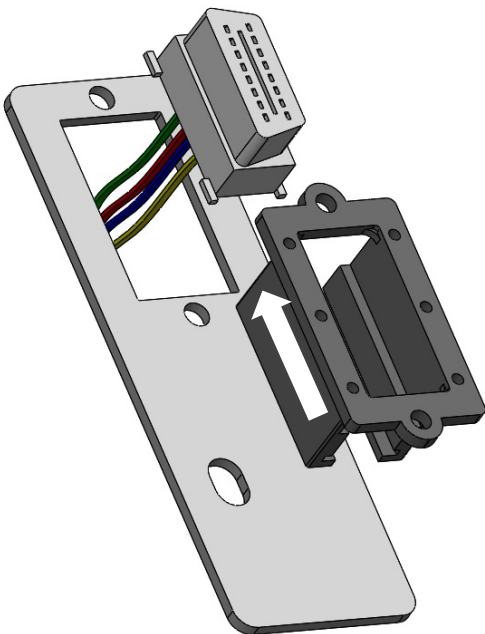
### Mounting :



- remove the original OBD socket jack from it's housing

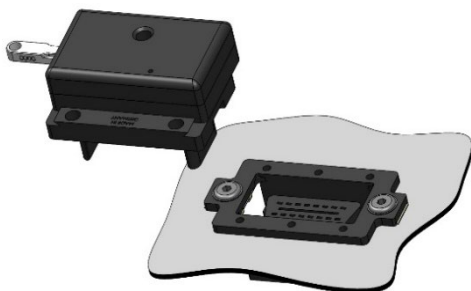


- remove the plastic lugs marked red (e.g. with a sharp knife)

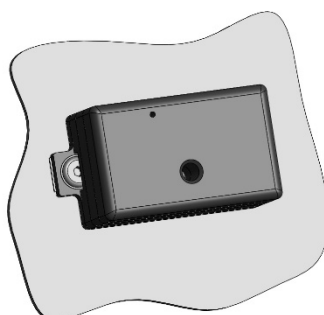


- push the socket jack into the OBD-Saver housing. (The socket jack – barbs have to be fully pressed into the housing!)
- mount both (housing and socket jack) onto the mounting bracket with the provided fillister screws
- Mount the 3 parts (mounting bracket with lower OBD Housing & OBD socket jack) with the car frame

→ see pictures on the following pages



- Plug in the lock and fix it with the provided M3 screws
- Close the OBD-Saver and remove the key





Release screws and remove trim



Remove OBD-Socket



Tape the lead OBD socket remove to enlarge Available cable length.



Remove screw (foot area)



Bracket mount with just dissolved screw -- Lead OBD socket through the hole and add with the lower part of OBDS. Rotate bracket till the OBD-Socket/cable lengt fit



mount lower part OBDS with bracket



Plug in the lock and fix it with the provided M3 screws.  
Close the OBD-Saver and remove the key

